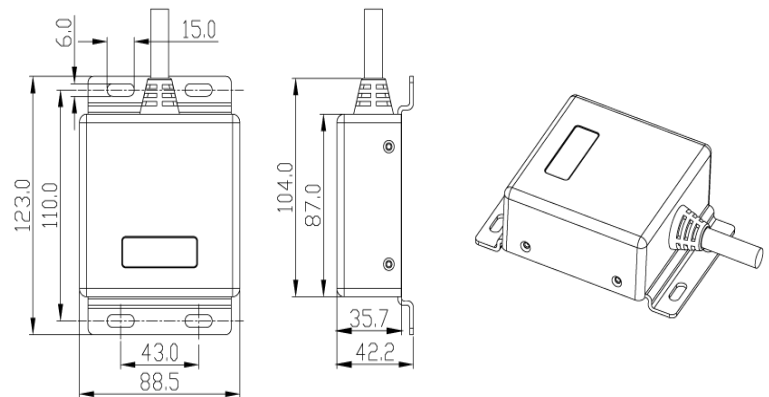


Uninterrupted Power Supply 2Ah



Dimension



Main Features

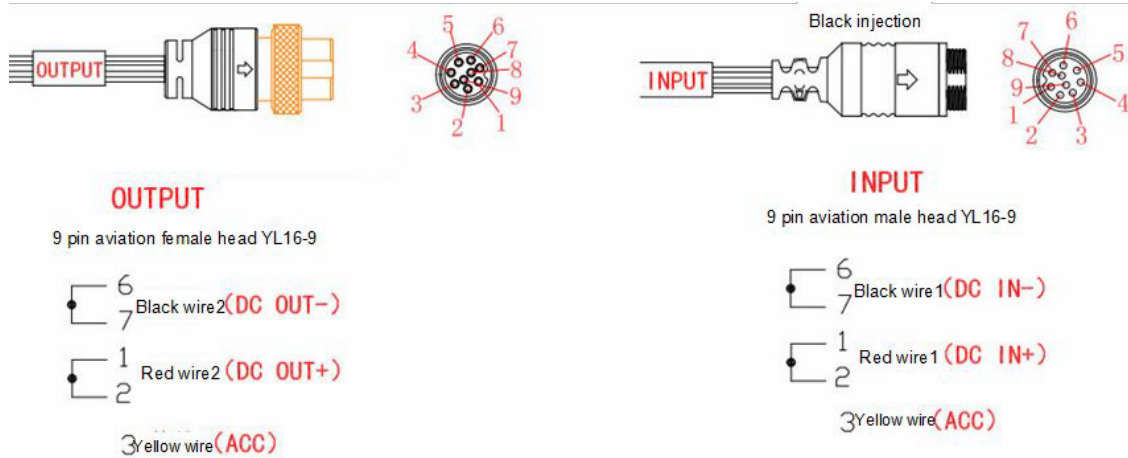
- Compact appearance, lightweight.
- Built-in fuse, being reliable and secure.
- Seamless connection with mobile DVR.

Overview

UPS-3 is a high-performance back-up power solution, using internal electronic circuit to measure, calculate and storage battery data, which makes the use and management of power supply more predictable. It solves the problem of high and low voltage pulse and can keep on recording, avoiding the Interference of MDVR on vehicles. There is protection for low pressure / over-voltage, overload, over current, over temperature, short circuit, and reverse polarity.

Item	General Parameter		Remark
Case material	Cold-rolled steel		
Charge voltage range	12---36V		Vout=Vmax (Vin Vb)
Casing material for single cell	Nickel plated steel		
Standard capacity (0.2C ₅ A)	2Ah		
Minimum Capacity (1C ₅ A)	1.8Ah		
Rated voltage	9.6V		Single cell Work voltage: 3.20V
ax. Charge voltage	10.8V		Single Ave. charge Voltage: 3.60V
Cut-off voltage	7.5V		Single Ave. Discharge Voltage: 2.50V
Standard charge current	1A		0.5C ₅ A
Charging Time	About 2.5h		0.5C ₅ A
Max Continuous discharge current	4A		2C ₅ A
Max discharge current	6A		3C ₅ A (2 minutes)
Battery dimension	88.5mm*115mm*61mm		
Total weight (Approx.)	About 700g		
Working temperature(CC/CV)	Standard	0°C ~ 60°C	
	Discharge	0°C ~ 60°C	
	Storage	-20°C ~ 60°C	

Signal Definition



Performance

No.	Item	Standard	Testing method
1	Discharge performance in normal temperature	Discharge capacity / standard capacity $\times 100\%$ (A) $0.2C_5A \geq 100\%$ (B) $1C_5A \geq 95\%$	Charge with $0.2C_5A$ standard charge in the condition of temperature $25^\circ C \pm 5^\circ C$, relative humidity $45\% \sim 80\%$ (if there is no especial statement, the charging way is same as this.) Keep it for 10min and separately discharge with $0.2C_5A$ & $1C_5A$ to cut-off voltage 7.5V, cycles for three times. One cycle capacity arrive standard, that's to say it is qualified. (The below as the same)
2	Charging keep ability in normal temperature	Rest capacity \geq standard capacity $\times 90\%$	After standard charging, store it at $25^\circ C \pm 5^\circ C$ for a month, and then discharge it to cut-off voltage 7.5V by $0.2C_5A$. Then measure the capacity of cell.
3	Cycle life	Capacity \geq Standard capacity $\times 80\%$	After $0.2C_5A$ standard charged, discharge it with $0.2C_5A$ to 7.5V. rest for 10min, cycles for 2000 times.
4	Storage performance	Capacity can be kept $\geq 80\%$ Storage for 12 months.	After standard charged, keep it for 12 months as a open circuit, discharging it until 7.5V by $0.2C_5A$, and then measure the leftover capacity. Measure its recovery capacity by $0.2C_5A / 0.2C_5A$. Undertake 3 cycles, it passes when one cycle meets the standard.

Storage and Transportation

- Based on the character of cell, proper environment for transportation of LiFePO4 battery pack need to be created to protect the battery.
- During transportation, 50% SOC must be kept to ensure that short circuit, appearance of liquid in the battery or immersion of battery in liquid never occur.
- Battery should be kept at $-20^{\circ}\text{C} \sim 60^{\circ}\text{C}$ in warehouse where it's dry, clean and well-ventilated.
- During loading of battery, attention must be paid against dropping, turning over and serious stacking.

Warnings and Notice

In order to prevent the battery leaking, getting hot and exploding, please pay attention to preventing measure as following:

Warning

- Never throw the battery into water, keep it under dry, shady and cool circumstance when not use.
- Never upside down the positive and negative.
- Never connect the positive and negative of battery with metal.
- Never ship or store the battery together with metal
- Never knock, throw or trample the battery.
- Never cut through the battery with nail or other edge tool.

Notice

- Never use or keep the battery under the high temperature. Otherwise it will cause battery heat, get into fire or lose some function and reduce the life. The proposed temperature for long-term storage is $10-45^{\circ}\text{C}$.
- Never throw the battery into fire or heating machine to avoid fire, explosion and environment pollution; scrap battery should be returned to the supplier and handled by the recycle station.
- Never use the battery under strong static and strong magnetic field, otherwise it will destroy the protecting device.
- If battery leaked, the electrolyte get into eyes, please don't knead, please wash eyes by water and send to hospital. Otherwise it will hurt eyes.
- If battery emit peculiar smell, heating, distortion or appear any unconventionality during using, storage or charging process, please take it out from device or charge and stop using.
- Never cut the battery in socket directly; please use the stated charger when charging.
- Check the voltage of battery and relevant connectors before using the battery. It can't be used until everything turns out to be normal.
- Before charging, fully check the insulation, physical condition and aging status, since breakage and aging are never allowed; the pack voltage must not be less than 7.5 V, if not, it's abnormal and that battery needs to be labeled. The user should contact our Customer Service Dept and It can't be charged until repaired by our staff.
- The battery should be stored in half SOC. It needs to be charged once if not using for as long as half a year.
- Clean the dirty electrode, if any, with a clean dry cloth, or poor contact or operation failure may occur.