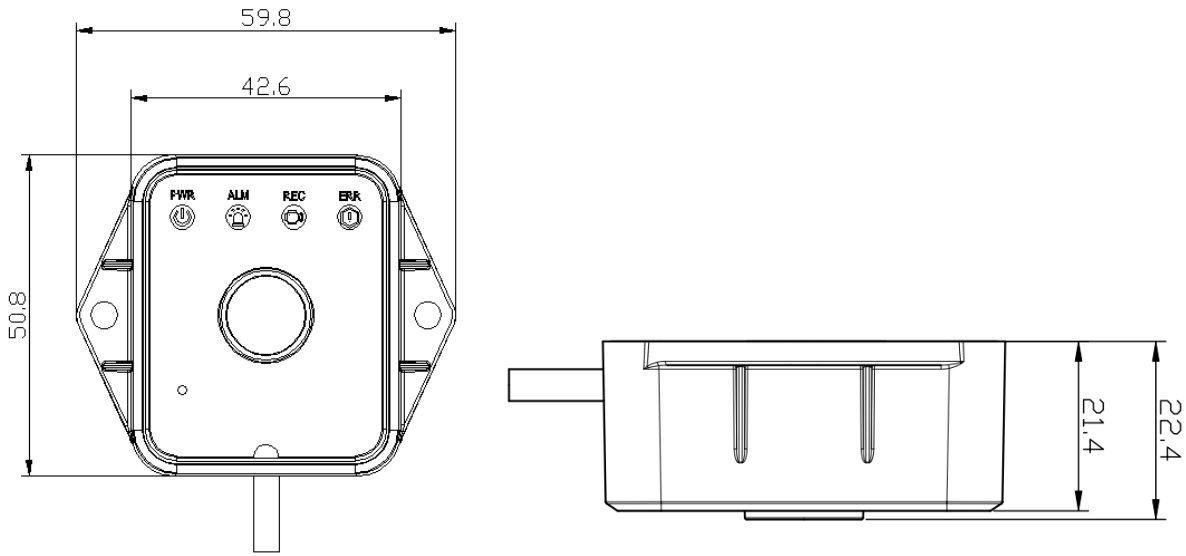




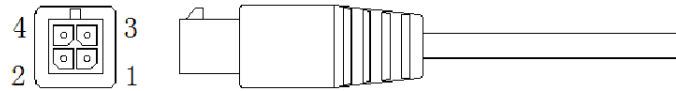
## Dimension( Unit: mm )



## Print Description

No.	Print	Description
1	PWR	Blue: Light is on when power is on, and light is off when power is off.
2	ALM	Red: Light is on when there is alarm, and light is off when there is no alarm.
3	REC	Green: Light is one when it is recording, and light is off when there is not recording.
4	ERR	Orange: Light is on when there is malfunction, and light is off when it works well.

## Cable Definition



Small 5559-4P Injection black

### Diagram

Small 5559-4Pin	TJC3-4P-P1.25
485B 2	4 Brown and white
485A 3	3 Brown
GND 4	2 Black
+5V 1	1 Red