

GDS (OBD)



Main Features

- ◆ Data Management
- ◆ Data analysis
- ◆ Fault diagnosis
- ◆ Alarm information

Overview

Green Driving System, known as GDS, has integrated six-axis sensor and OBD II/EOBD together to have the following features: driving data pre-alarm, vehicle condition checking, driving behavior and oil consumption management. On-Board Diagnostics, also known as OBD, is used to monitor the vehicle condition according to the operating conditions of the engine.

Data Management

Collect data of OBD II and six-axis sensor to manage oil consumption, speed, maintenance and driving behavior

Data Analysis

Collect data of OBD II and six-axis sensor to calculate oil consumption, speed, mileage, driving period and behavior

Fault Diagnosis

Collect data of OBD II fault Analysis, pre-alarm and calculation

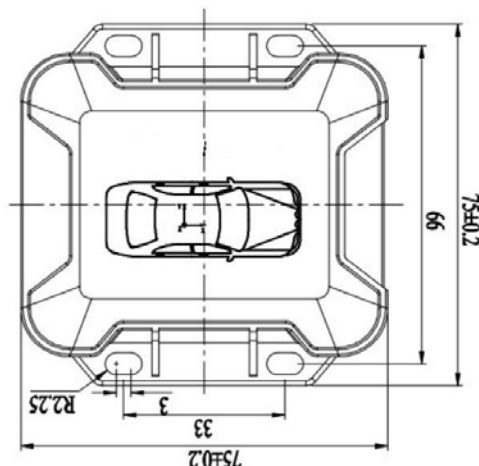
Alarm Information

Collect data of OBD II and six-axis sensor to alarm the vehicle fault and driving behavior

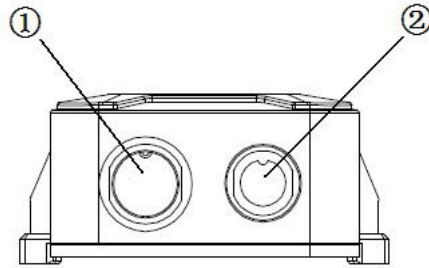
Specification

Names	Description
Vehicle type	12V/24V Diesel Vehicle / Gasoline Vehicle
Data type	K line, CAN ISO 11898/ ISO15765-4 high speed, intermediate speed and low speed CAN, RS485
Working Voltage	5V
Acceleration	±16g
Angular Rate	±2000°/sec
Working temperature	-40 to 70°C
Storage temperature	-40 to 85°C
Dimension(mm)	75*75*34mm

Dimension (Unit: mm)



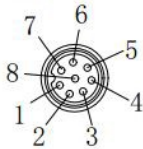
Front Panel



Serial No.	Description
①	To connect OBD port
②	To connect GDS displaying panel and MDVR

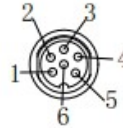
External Cable Definition

8-pin Aviation Male YL16-8



Serial No.	Description
1	J1708-
2	J1708+
3	CAN-L
4	CAN-H
5	GND
6	L-LINE
7	K-LINE
8	+24V

6-pin Aviation Male RS765-6



Serial No.	Description
1	RS232RX
2	GND
3	RS232TX
4	+5V
5	RS485A
6	RS485B

Installation Place for Reference

