

Speed Dome Laser Light 6-in-1 1080P **STARLIGHT** with 36x optical zoom and 32x digital zoom

SDH717LS Series 6-in-1 Full HD Laser Light High Speed Dome Camera



Features:

- Full HD 1080P resolution, 2.1MP Sony Starvis image sensor;
- 36x optical zoom and 32x digital zoom;
- 6-in-1 design, integrating AHD/TVI/CVI/HD-SDI/EX-SDI /CVBS into one single speed dome camera;
- **Easy swapping between Coax HD and IP, simply by replacing the inner box by one hand;**
- Innovative easy installation design to free your hands;
- Simple DIP Switch for switching video signal outputs of AHD/TVI/CVI/HD-SDI/EX-SDI/CVBS;
- Control PTZ camera movement and transmit video over a single coaxial cable(UTC);
- Micro-Stepping technology makes PT motion smoother, especially at maximum optical zoom ratio;
- Compound Movement makes the speed dome reach the preset in the shortest route;
- Full 360° endless pan rotation for complete area coverage;
- Maximum PT manual speed up to 300°/s, accuracy up to +/-0.01°;
- Support 255 presets, 8 scans, 8 patterns, 8 groups, 16 schedules, 8 privacy masks;
- Auto focus/Auto flip/Auto protocol identification/Power up;
- HLC/BLC/WDR/DIS/Defog;
- True Day&Night
- Laser light and OSRAM IR LED enhance sensitivity during night, laser light distance up to 300 meters;
- Protection against lightning strikes and power surges;
- Weatherproof for outdoor & indoor installation (IP66 Rated).

Application Scenes:

SDH717LS Series 6-in-1 Full HD Laser Light High Speed Dome Camera could be used in any places where surveillance is required, like hotel, commercial building, plaza, parking lot, revenue, bank, big mall, supermarket, hospital, education organization, residential zone and so on.

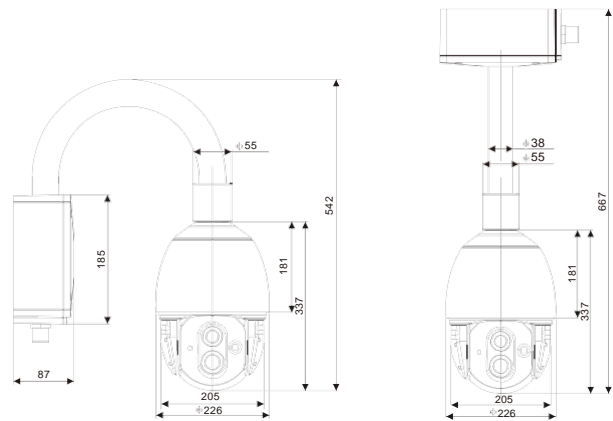


IP Version

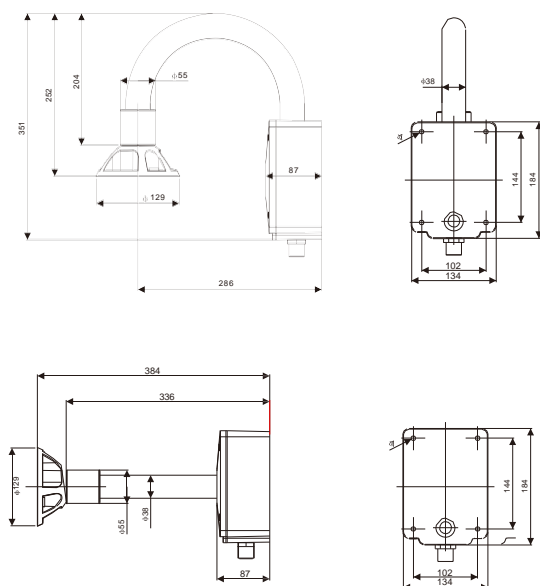


Coax HD Version

Dimension: (unit: mm)



Optional bracket: (unit: mm)



Speed Dome Laser Light 6-in-1 1080P STARLIGHT with 36x optical zoom and 32x digital zoom

Technical Parameters

Model No.		HD-SDI	EX-SDI	HD-CVI	HD-TVI	HD-AHD	Analog
		SDH717LSMF					
Camera	Sensor	2.1mp Sony 1/1.9" Starlight Image Sensor					
	Resolution	1080P	1080P	1080P	1080P	1080P	700TVL
	Zoom Ratio	36x Optical zoom, 32x digital zoom					
	Focal Length	f=5.8(Wide) – 210(Tele)mm					
	Iris	F=1.5(Wide)-4.8(Tele)					
	Mini Illumination	Color:0.2Lux, BW:0.05Lux; Color DSS:0.002Lux,BW DSS:0.001Lux					
	Day/Night	Auto/Day/Night					
	Focus	Manual/Auto / One Push					
	Iris	Auto/Manual					
	Shutter Speed	1/30(25) sec ~ 1/300,000 sec					
	DSS	Auto/Off					
	White Balance	Auto/Indoor/Outdoor/Manual					
	Mirror	None/Horizontal/Vertical/Horizontal& Vertical					
	HLC/WDR/BLC/DIS/Defog	On/Off					
	Privacy Mask	8 privacy masks programmable					
PTZ Function	Pan/Tilt Range	Pan: 360°endless, Tilt: 0~90°					
	Speed	Max.300 °/sec (proportional to zoom ratio)					
	Preset	Up to 255					
	Auto Scan	8					
	Pattern	8					
	Group	8					
	Schedule	16					
	RS 485	Yes					
	Other PTZ Functions	Auto Flip, Parking Action, Auto protocol identification,Power up Action					
	Alarm In/Out	8CH/4CH					
	Alarm Trigger Event	Alarm out, preset, scan, pattern, group					
	Protocol	Pelco D/P					
	Baud rate	2400/4800/9600 bps					
IR Function	Laser light distance	Min. 300m					
	Infrared mode	Auto/ Manual/ Semi-Auto					
	IR LED layout	Near: 1pcs OSRAM IR LED; Far: 1pcs Laser Light					
	IR LED power	Each max. 7W+5W					
	Laser Standard	GB16796-2009					
General	Dimension	Main unit without mount bracket: Φ226mm*337mm					
	Net Weight	4.5Kg(Only PTZ dome without mount bracket)					
	Gross Weight	7Kg (with wall mounting bracket)					
	Working Temp.	-30°C ~ +50°C;					
	Working Humidity	90% (Non-condensing)					
	Fan	Yes					
	Power Supply	DC12V /AC 24V					
	Power Consumption	AC24V: 38W Max., DC12V: 33W Max.					
	Service Power Supply Output	DC12V/500mA					
	IP Rating	IP 66					
	Protection Grade	Power 6000V, Video 6000V, RS485 6000V					
	Certificate	CE, FCC					

