

MCFV2AH28



AHD 1080P Front View Camera

Main Features

- 2.0MP (1080P) AHD Front View Camera (Optional).
- Compact size, light weight.
- Fixed lens 2.8 mm.
- Electronic shutter, white balance mode.
- Suitable for sticking inside of the vehicle on the front glass.

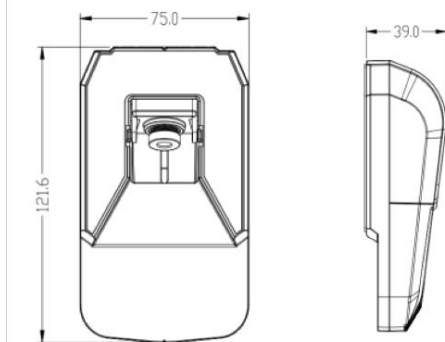
Specifications

The camera model could be changed without prior notice.

Product Series	MCFV2AH28
Resolution	1920H*1080V
Sensor	1/2.8" 2.0M pixel CMOS
Mode	PAL/NTSC optional
Minimum illumination	0.05Lux (Color Illumination), F1.2
S/N	48dB
Lens	2.8mm M12
FOV	H*V 96*55°
Video output	1.0Vp-p AHD video output 75 Ω 4 pin DIN JACK connector
Power supply	PON / DC12V±10%
Power consumption (Max.)	2.5 W
Temperature	-40°C ~ 70°C
Dimension	122*75*39mm
Weight	About 195g

Dimension (Unit: mm)

Unit: mm



Video/Audio Output
Aviation Plug Connector
RS765-4 (Female)



Solution Reference

