

SDH723MF



Speed Dome 6-in-1 1080P with 20x/30x optical zoom and 32x digital zoom

SDH723 Series 6-in-1 Full HD High Speed Dome Camera

Features:

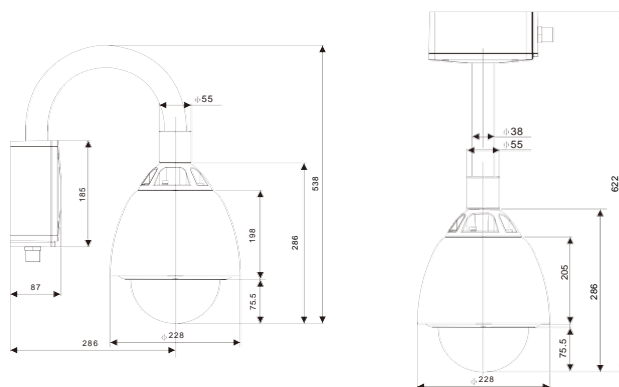
- Full HD 1080P resolution, 2.1MP Sony Starvis image sensor;
- 20x/30x optical zoom and 32x digital zoom;
- 6-in-1 design, integrating AHD/TVI/CVI/HD-SDI/EX-SDI /CVBS into one single speed dome camera;
- **Easy swapping between Coax HD and IP, simply by replacing the inner box with one hand; (See IP Model)**
- Simple DIP Switch for switching video signal outputs of AHD/TVI/CVI/HD-SDI/EX-SDI/CVBS;
- Control PTZ camera movement and transmit video over a single coaxial cable(UTC);
- Micro-Stepping technology makes PT motion smoother, especially at maximum optical zoom ratio;
- Compound Movement makes the speed dome reach the preset in the shortest route;
- Full 360° endless pan rotation for complete area coverage;
- Maximum PT manual speed up to 300°/s, accuracy up to +/-0.01°;
- Support 255 presets, 8 scans, 8 patterns, 8 groups, 16 schedules, 8 privacy masks;
- Auto focus/Auto flip/Auto protocol identification/Power up;
- HLC/BLC/WDR/DIS/Defog;
- True Day&Night
- Innovative easy installation design to free your hands;
- Protection against lightning strikes and power surges;
- Weatherproof for outdoor & indoor installation (IP66 Rated).

Application Scenes:

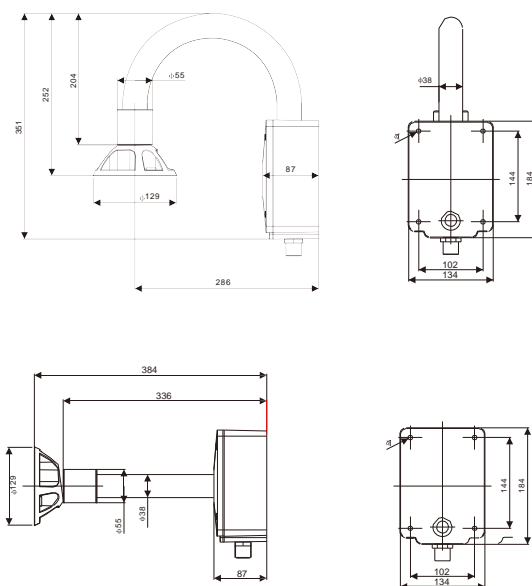
SDH723 Series 6-in-1 Full HD High Speed Dome Camera could be used in any places where surveillance is required, like hotel, commercial building, plaza, parking lot, revenue, bank, big mall, supermarket, hospital, education organization, residential zone and so on.



Dimension: (unit: mm)



Optional bracket: (unit: mm)



Speed Dome 6-in-1 1080P with 20x/30x optical zoom and 32x digital zoom

Technical Parameters:

| Model No. | | HD-SDI | EX-SDI | HD-CVI | HD-TVI | HD-AHD | Analog |
|--------------|------------------------------|---|--------|--------|------------------------------------|--------|--------|
| | | SDH723MF-20x | | | SDH723MF-30x | | |
| Camera | Sensor | 1/2.8" Sony Starvis CMOS sensor | | | | | |
| | Resolution | 1080P | 1080P | 1080P | 1080P | 1080P | 700TVL |
| | Zoom Ratio | 20x Optical zoom, 32x digital zoom | | | 30x Optical zoom, 32x digital zoom | | |
| | Focal Length | f=4.9(Wide) – 98(Tele)mm | | | f=4.3(Wide) – 129(Tele)mm | | |
| | Iris | F=1.5(Wide)-3.0(Tele) | | | F=1.6(Wide)-5.0(Tele) | | |
| | Mini Illumination | Color:0.2Lux, BW:0.05Lux; Color DSS:0.002Lux,BW DSS:0.001Lux | | | | | |
| | Day/Night | Auto/Day/Night | | | | | |
| | Focus | Manual/Auto / One Push | | | | | |
| | Iris | Auto/Manual | | | | | |
| | Shutter Speed | 1/30(25) sec ~ 1/300,000 sec | | | | | |
| | DIS | OFF/10%/20%/30% | | | | | |
| | White Balance | Auto/Indoor/Outdoor/Manual | | | | | |
| | Mirror | None/Horizontal/Vertical/Horizontal& Vertical | | | | | |
| | HLC/WDR/BLC | On/Off | | | | | |
| | Defog | Auto / Off / Low / Middle / High | | | | | |
| Privacy Mask | 8 privacy masks programmable | | | | | | |
| PTZ Function | Pan/Tilt Range | Pan: 360° endless, Tilt: 90°(Auto-Flip Off), 180°(Auto-Flip On) | | | | | |
| | Speed | Max.360 °/sec (proportional to zoom ratio) | | | | | |
| | Preset | Up to 255 | | | | | |
| | Auto Scan | 8 | | | | | |
| | Pattern | 8 | | | | | |
| | Group | 8 | | | | | |
| | Schedule | 16 | | | | | |
| | RS 485 | Yes | | | | | |
| | Other PTZ Functions | Auto Flip, Parking Action, Auto protocol identification,Power up Action | | | | | |
| | Alarm In/Out | 8CH/4CH | | | | | |
| | Alarm Trigger Event | Alarm out, preset, scan, pattern, group | | | | | |
| | Protocol | Pelco D/P | | | | | |
| | Baud rate | 2400/4800/9600 bps | | | | | |
| General | Dimension | Main unit without mount bracket: Φ228mm*286mm | | | | | |
| | Net Weight | 3.3 Kg(Only PTZ dome without mount bracket) | | | | | |
| | Gross Weight | 6Kg (with wall mounting bracket) | | | | | |
| | Working Temp. | -42°C ~ +55°C; | | | | | |
| | Working Humidity | 90% (Non-condensing) | | | | | |
| | Fan | Yes | | | | | |
| | Power Supply | DC12V /AC 24V | | | | | |
| | Power Consumption | AC24V: 65W Max., DC12V: 25W Max. | | | | | |
| | Service Power Supply Output | DC12V/500mA | | | | | |
| | IP Rating | IP 66 | | | | | |
| | Protection Grade | Power 6000V, Video 6000V, RS485 6000V | | | | | |
| Certificate | CE, FCC | | | | | | |

