

Intelligent Integration IR PTZ Camera

(Recommended Keyboard Controller)



Aviation Wiring of HD PTZ Camera:



- ①:RS485
- ②:RJ45 Lan Port
- ③:Analog Video
- ④:Power Supply

MKB01

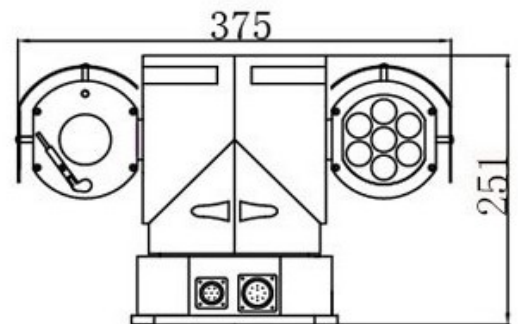
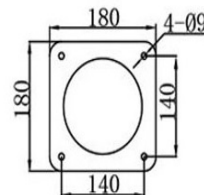
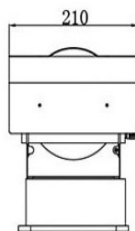


MKB03



Optional Shock-absorbing Seat and Mounting Bracketed

Dimension (Unit: mm)



Features:

- The first independent defogging defrosting module, solve the camera and lens fogging
- High-quality heating parts are used in the camera housing, so that the whole housing can work together to form an effective antifogging and defogging
- PTZ adopts the integrated upper and lower structure so that the PTZ and infrared housing will not bump and dislocate.
- PTZ standard with the original regulator module, filter the vehicle transient current instability, so that PTZ remains stable
- .Night Vision Supplement: PTZ adopts imported array infrared lights, Multi-angle work together, the working life up to 30,000 hours, night vision is **100-120** meters
- .HD IP: PTZ support mainstream megapixel digital high-definition movement and HD SENSOR HD picture capture, compatible with mainstream HD platform and seamless docking, the maximum support 1080P output, support for dual-stream and high-definition capture, support IE browser

Camera	Camera	2.0 Mega Pixel Camera Module
	Image sensor	1/3" Progressive CMOS
	Effective Pixels	1920x1080
	Optical Zoom	20x, 5.4-108mm
	Aperature	F1.5-F2.7
	Angle of View	Horizontal: 50.2° -2.9° (Wide-Tele), Vertical: 37.9° -2.1°
	S/N ratio	>52dB
	Day / Night	IR-CUT, Auto, Color, B/W
	MOD	10mm~1500mm (Wide~Tele)
	Zoom Speed	3 Sec. (Optical, Wide~Tele)
PTZ	Pan/Tilt Range	Pan:360° endless ,Tilt:+60° ~ -90°
	Pan/Tilt Preset Speed	Pan:100° /s ,Tilt:80° /s
	Pan/Tilt Control Speed	Pan:0° -60° /s ,Tilt:0° -40° /s
	Preset Positions	255 presets ,6 cruising tracks
	Communications	RS485, Built-in 16 protocol, Baud Rate from 2400Bps to 19200Bps optional
Network	Video Compression	H.264/H.265
	Audio Compression	G.722.1、G.711-alaw、G.711-ulaw、MP2L2、G.726
	Compression output rate	32Kbps—16Mbps
	Support Protocol	TCP/IP、HTTP、DHCP、DNS、DDNS、RTP、RTSP、PPPoE、SMTP、NTP、UPnP SNMP、FTP、802.1x、QoS、HTTPS、IPv6 (SIP、SRTP optional)、GB28181
	Interface Protocol	ONVIF/PSIA/CGI/ISAPI
	Communication Protocol	PelcoD-P Protocol
	Storage Function	Support MicroSD storage
	Intelligent Arlarm	Motion detection, mask alarm, full memory, memory mistake
	While previewing video	Most 10 Channels
	User Rights	At most 32 users, with three grades: Administrator, Operator, and ordinary users can only view
	Safe Mode	Authorized user name and password, and MAC address binding; HTTPS encryption; IEEE 802.1x network access control, IP address filtering
	ROI Code	Support 24pcs, Grade can be adjusted
General	Work temperature	-35° ~ +65°
	Power	DC10.8v-DC18v
	IP Grade	IP66
	Impact resistance requirements	≥4G
	Weight	6kg