

MDIP3400



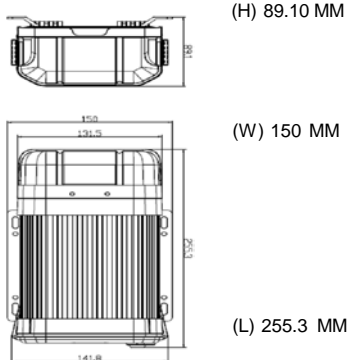
IP Mobile Digital Video Recorder



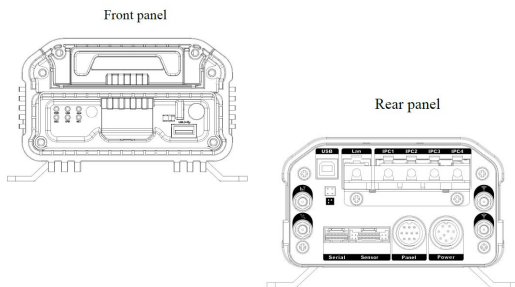
Key Features

- 4 channels 1080P@30FPS (IPC)
- Hard disk or SSD for main recording up to 2TB (Not Included)
- SD card for mirror recording (Not Included)
- GPS for location tracking (Optional)
- WIFI for video files download (Optional)
- Built-in 3G for live view and remote management (Optional)
- Brand new and sleek metal design
- Upgraded software performance
- Certificates: CE, FCC

Dimensions



System Diagram



Standard Accessories Included



Model	MDIP3400	
Function Overview	Preview, Recording, Playback, Network, Locating	
System	OS	Linux 3.0.8
	Control Mode	CPT-7, USB-EC, Network, Mouse, 3G
Video	Video Input	4 channels 1080P (IPC)
	Video Output	1 channel
	Total Resource	4*1080P@30FPS (IPC)
Audio	Audio Input	4 channels (IPC Audio Input)
	Audio Output	1 channel
	Audio Signal Standard	Electrical level: 2Vpp Input impedance: 4.7kΩ
Display	Display Split	1/4
	OSD	GPS information, alarm, vehicle No., speed, date/time
	Operation Interface	Semi-transparent GUI
Recording	Video/Audio Compression	H.264 / ADPCM
	Image Resolution	Digital: 1080P (1920X1080), 720P (1280X720)
	Image Quality	1-8 levels adjustable (1 is the best)
	Recording Mode	Boot up/Manual/Schedule/Alarm (sensor trigger, speed, acceleration, video loss,
	Pre-recording	0-60minutes
Playback	Post-recording	0-30minutes
	Mirror Dual Recording	Yes (Using SD Card)
Playback	Playback Channel	1 channel by local playback
	Search Mode	Date/time, channel, event
Network	Ethernet	RJ45(10/100M) x1
	IPC Ethernet	4 x RJ45 (10/100M POE Port)
	WIFI	Supports (802.11b/g/n) (Optional)
	3G	EVDO/WCDMA (Optional) - Support 1 Sim Card
Location	GPS	Location tracking, speed detection and time sync (Optional)
Storage	HDD	2.5" SATA Hard Disk or SSD X1 (Not Included)
Interface	USB	USB2.0 × 2 / One for USB-EC or Mouse (Type A) and One for external mirror recording (Type B)
	SD Card	SD Card X2 - Recommended (32GB / 64GB / 128GB/ 256GB Class 10/ SDHC Card (Not included) Front (Not included), Rear (Included in XTS-MD-FB - Optional)
	RS232	RS232 × 2
	RS485	RS485 × 2
	Serial	G-Sensor (Internal/Optional)
	Sensor	8 inputs, 2 outputs
	Speed	1 channel pulse speed detection
	Intercommunication	Interface CPT-7 (Optional)
Power	Input	DC8-36V
	Output	12V@1A, 5V@1A
	Max Power Consumption	40W
	Standby Power Consumption	≈0W
Physical Characteristics	Dimension (L x W x H)	255.3mm x 150mm x 89.1mm
	Weight	2.2kg / 4.85 lb
Environment	Operating Temperature	-40°C- +70°C(With heater) or -10°C- +70°C
	Operating Relative Humidity	8%-90% (No Condensation)
Certifications	CE	Yes
	FCC	Yes
	Water Proof Rate	IP54

