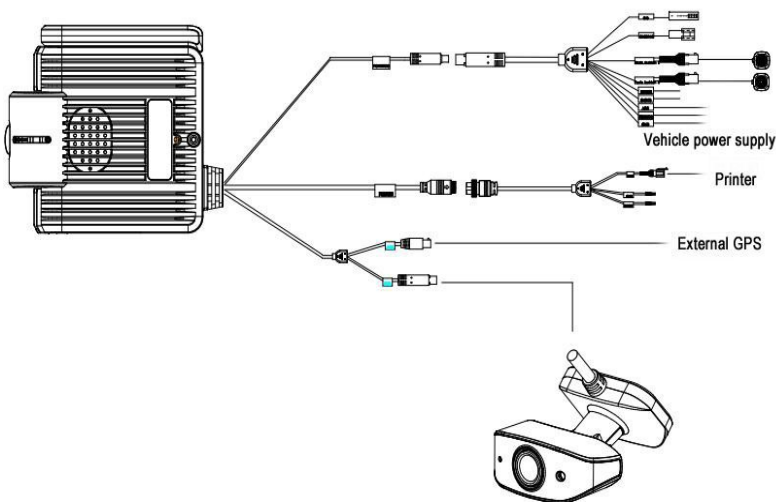


## Super Mini Mobile DVR Series



### Installation Diagram

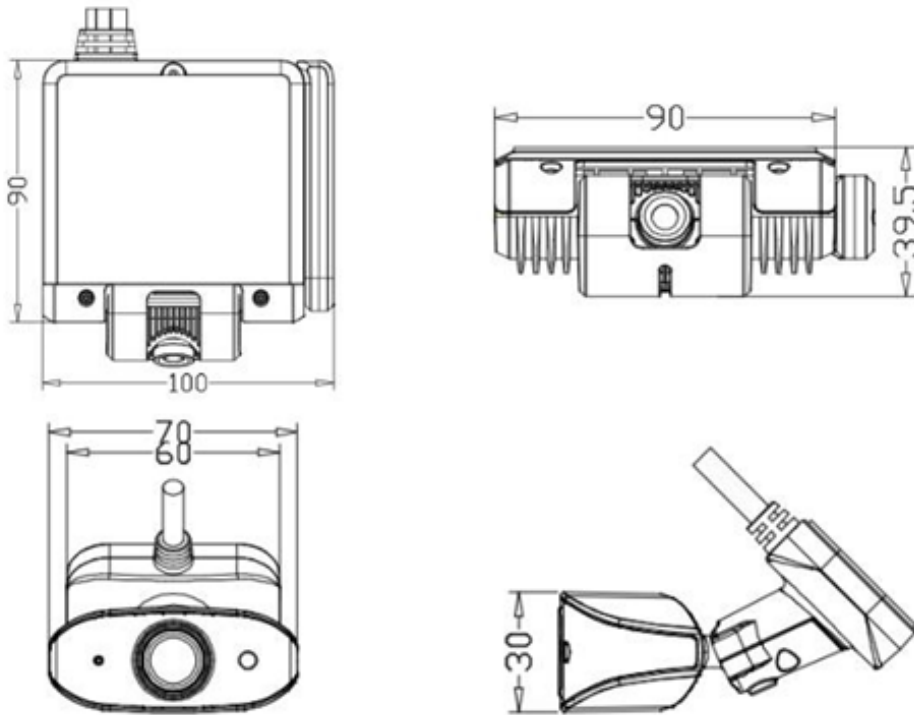


### Specifications:

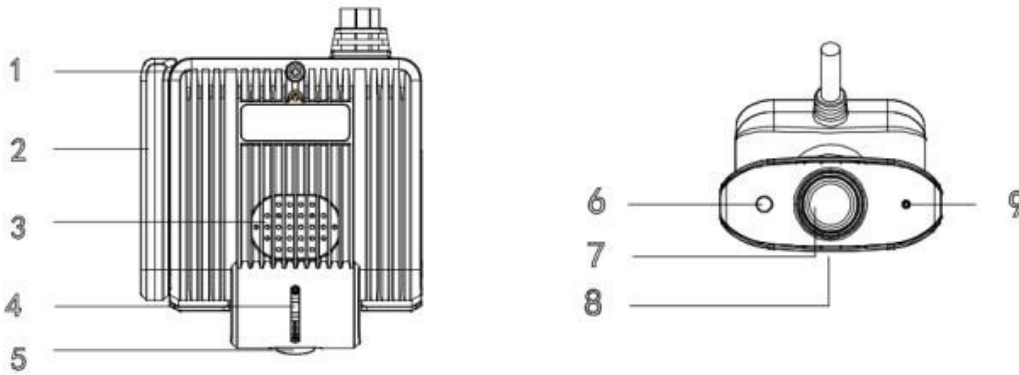
<b>Series</b>	<b>MDIP1200</b>	
<b>Network</b>	WIFI	Support (Optional)
	Bluetooth	Support (Optional)
	4G	Support (Optional)
<b>Location</b>	GPS	Support (Optional)
<b>Sensor</b>	6-axis Sensor	Support
<b>Miles/Time Calculation</b>	Vehicle pulse acquisition	Support
<b>LED</b>	It shows the device working status The indicator light shows the four states of the device: Power: the device is powered, the red light is always bright; Normal operation: green light is always bright; Fault alarm: indicator red light flashes once a second; Sleep: green light flashes 1 second and off 10 seconds.	
<b>Storage</b>	SD Card	SDXC64G/128G/256G Class 10 (Optional)
<b>Audio/Video</b>	A/V recording	Video: 2 channels Audio: 1 channel
	Main stream resolution and frame rate	Outside View Camera: 1080P @ 30fps Inner View Camera: 720P @ 30fps
	Max.	Main stream 1080P @ 30 frames + 720P @ 30 frames, 2 ways sub-stream VGA @ 30 frames

<b>Audio/Video</b>	Image setting	Brightness, Chroma, Contrast, saturation and sharpness
	Video coding	H.264 Baseline Profile/H.264 Main Profile Baseline
	Video compression bit rate	Outside View Camera: 500Kbps 6Mbps Inner View Camera: 500Kbps ~ 6Mbps
	Audio compression standard	ADPCM
	Audio compression rate	4:1
	General function	Heartbeat mechanism, multi-level user management
	Intelligent alarm	Not support
	CBR / VBR	Support
	Audio input	Support
	Built-in speaker	Built-in speakers for broadcasts, prompting drivers or passengers
<b>Camera parameters</b>	Sensor (Inner View Camera)	1/3" 1.23M pixel CMOS Sensor
	Sensor(Outside View Camera)	1/2.9" 2M pixel CMOS Sensor
	Electronic Shutter	1/30Second-1/100000Second
	Lens	Outside View Camera: 4mm Inner View Camera: 2.3mm
	Lens port	M12
	Day/Night IR-Cut	Outside View Camera: Not support Inner View Camera: Support
	Wide Dynamic Range	Digital Wide Dynamic Range
	Black-light compensation	Support
	S/N	≥48db
	IR distance	Outside View Camera: Not support Inner View Camera: 3m
<b>Ports</b>	RS232/RS485	1 channel/None
	Alarm	2 channels, with auto detection
	Speed	1 channel
	Tamper detection alarm	1 channel
	Power output	5VDC@500mA, 9-16V@2A
<b>Protocol</b>	Network protocol	HTTP,TCP,ARP,UDP,FTP,DHCP,DNS,IP V4,NTP
	Power supply	DC 9~16V
	Built-in battery	Not supported
	Normal power consumption	6W
	Dormancy	Supports dormancy uploading
	Power consumption	Less than 9W
<b>Others</b>	Temperature	-30°C~+70°C
	Storage temperature	-40°C~+85°C
	Humidity	0% - 90%

## Dimension (Unit: mm)



## Definition



Items	Definition	Items	Definition
1	Fixing screw of cover	6	Photosensitive area
2	Bluetooth & WIFI	7	Lens (Inner View Camera)
3	Speaker	8	Fixing screw
4	Fixing screw	9	MIC
5	Lens (Outside View Camera)		

