

MCSV2AH36-IR1

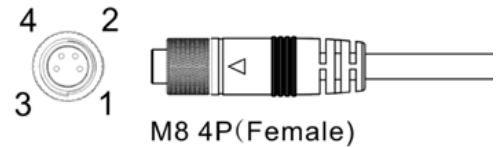


High resolution AHD, 2.0 Mega Pixel (1080P), 12VDC



Cable Connection:

Video output:



- 1 — NC
- 2 — 12GND(-)
- 3 — 12VDC(+)
- 4 — AHD VIDEO

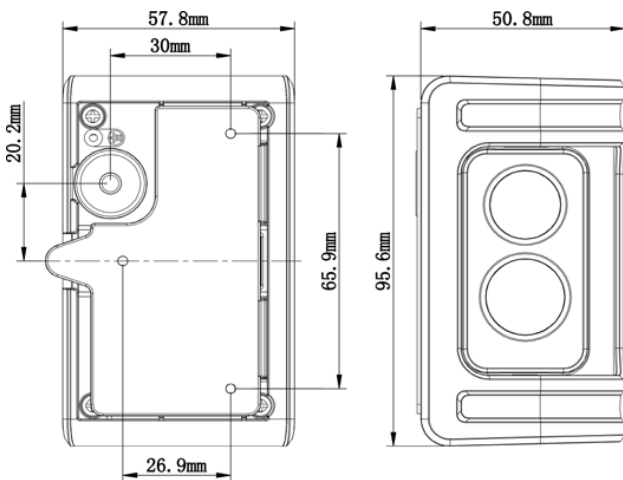
Features:

- Mobile BSD /Side View camera 1080P with 3.6mm fixed lens.
- Minimum Illumination: Color: 0.1Lux/F1.2, B/W: 0 Lux (IR LED On)
- Low power consumption.
- Metal case with excellent hardness and thermal performance.
- 1 Array Light
- Infrared Distance: 10m~15m.
- 4 Pin M8 Din connector
- IP Rating: IP67

Packing list:

- Camera 1
- Instruction Manual 1
- Mounting Screw 3
- Key 1

Dimensions:



Specifications:

Model	MCSV2AH36-IR1
Image Sensor	1/2.8" 2.13M Sony Exmor Starvis CMOS
TV System	NTSC/PAL (optional)
Resolution	1920(H) * 1080(V)
Minimum Illumination	Color: 0.1 Lux/ F1.2, B/W: 0 Lux IR LED ON)
Scanning System	Line by Line Scan
Synchronization	Internal
S/N Ratio	More than 50dB
White Balance	Automatically Track White Balance
Electronic Shutter	Auto
Color to Black	External Synchronization Control
Infrared Distance	10m~15m
Infrared LED	1 Array Light
Video Output	1 Vp-p, 75 Ω, AHD Standard
Audio Output	N/A
Mirror	N/A
ICR	Available
Noise Reduction	3D
Gamma Correction	User
Lens	f3.6mm Megapixel
Power Supply	12VDC
Power Consumption	230mA/DC12V (IR ON)
Dimensions (H X W)	95.6mm x 50.8mm
Net Weight	0.75Lb / 0.34 Kg
Weatherproof/Water Proof	IP67
Operating temperature	-20°C ~ 55°C

