

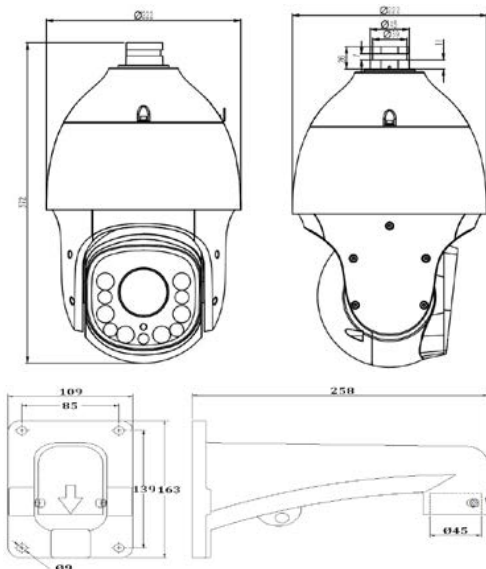
H.265 2MP 33x Starlight IR PTZ



Features

- Starlight Ultra Low Light 0.002lux
- S+265 Compression
- Up to 1920x1080@30fps
- Mechanical WDR 140dB
- Smart IR, IR Range: 200m
- Optical Zoom: 33x, Digital Zoom: 16x
- Speed Max 400°/s, -16°~90° Tilt Angle
- NIR, WDR, 3D DNR, HLC, Dual-ICR, AWB, AGC, BLC
- VCA Tripwire/Double Tripwire/Perimeter/Object Abandon/ObjectLost/Running/Loitering/Parking/Crowd/Audio Abnormal Detection/Video Abnormal Detection
- Interface Built-in Mic, Audio in/out 1/1, Alarm in/out 1/1, MicroSD Card Slot, up to 128GB, Reset Button
- TVS 6000V, Lightning/Surge 4000V Protection, IP67
- Operating Conditions -40°C~70°C, 0~95% RHG
- CE, FCC

Dimensions



Camera	
Image Sensor	1/2.8" CMOS
Effective Pixels	1280(H)x1080(V)
Signal System	PAL/NTSC
Minimum Illumination	Color:0.002Lux @ (F1.6,50 IRE,ICR OFF) Black&White:0.001Lux @ (F1.6,50 IRE, ICR ON)
White Balance	Auto/ ATW/ Manual
AGC	Auto/Manual
S/N Ratio	≥ 55dB
BLC	Y
HLC	Y
Smart Defog	Y
WDR	140dB
Digital Noise Reduction	3D DNR
Exposure Mode	Auto/ Manual/Shutter priority/ Aperture priority
Shutter Time	1/1s~1/100000s
Day& Night	IR Cut Filter with Auto Switch
Digital Zoom	16x
Privacy Masking	24 Dynamic Privacy Mask Programmable; Optional Multiple Colors
Auto Focus	Auto/ Semi-automatic/ Manual
OSD	Size:16×16, 32×32, 24×24, 48×48, 64×64, 96×96 Letters, Week, Date, Time, Total 5 Regions
S/N Ratio	>60dB
Lens	
Focal Length	4.6-152mm, 33x
Zoom Speed	Approx.5s(Optical Wide-Tele)
Angle of View	62.1°(w)~2.18°(t)
Minimum Working Distance	1-1.5m(Wide-Tele)
Aperture Range	F1.6-F4.8
Pan & Tilt	
Pan Range	360° Endless
Pan Speed	Pan Manual Speed: 0.1° -400°/s Pan Preset Speed: 240°/s
Preset Accuracy	±0.2°
Tilt Range	-16°~90° (Auto Flip)
Tilt Speed	Tilt Manual Speed: 0.1°~400°/s Tilt Preset Speed: 240°/s
Proportional Zoom	Rotation Speed Can Be Adjusted Automatically According to Zoom
3D Position	Y
Number of Preset	500
Scan	8
Cruise	8, up to 32 Presets per Cruise
Pattern	8, Each One With 600s Memory or 300 Orders
Power loss recovery	Y
Guard Action	Preset/ Cruise/ Pattern/ Scan
PTZ Position Display	Y
Freeze Frame	Y
Infrared	
IR Irradiation Distance	200m
IR Irradiation Angle	Adjustable by Zoom
Interface	
Audio Input	1-ch Mic in(Line in Interface)
Audio Output	1-ch, Line level, Impedance: 600Ω
Ethernet	1-ch RJ45 10W 100M
Alarm Input	1-ch
Alarm Output	1-ch
On-board Storage	MicroSD Card Slot, up to 128GB
BNC Output & RS485	N/A
Extension	N/A
Network	
Ethernet	10Base -T/100Base-TX RJ45 Connector
Max.Image Resolution	1920×1080
Main Stream	1920×1080@25/30fps;
Sub Stream	704×576@25fps/704×480@30fps
Third Stream	352×288@25fps/352×240@30fps
Image Compression	H.265/H.264 High Profile/MJPEG
ROI Encoding	8 Dynamic Areas for Both Main and Sub Stream
Audio Compression	G711A/G711U/ADPCM/AAC
Audio Bit Rate	8K~48Kbps
Video Bit Rate	32K~16000Kbps
Protocols	IPv4/IPv6/HTTP/802.1x/FTP/SMTP/UPnP/SNMP DNS/DDNS/NTP/RTSP/TCP/UDP/DHCP/PPPoE HTTPS/SSL/TCP-IP/IGMP,RTP,IPFILTER, QoS,BONJOUR,ARP.
Remote Connection	5 Users Access at the Same Time
User Permission	Up to 32 Users, 4 Levels
Security Measures	User Authentication (ID and PW), Host Authentication (MAC Address) IP Address Filtering
Web Browser	IE8,IE9,IE10,IE11,Firefox3.5+
System Compatibility	ONVIF (Profile S), SDK

H.265 2MP 33x Starlight IR PTZ

Brackets (Optional)

Model: WM-20

PM-21



Advance	
Video Analytic(VCA)	Tripwire/Double Tripwire/Perimeter/Object Abandon Object Lost/Running/Loitering/Parking/Crowd
Intelligent Alarm	Audio Abnormal Detection/Video Abnormal Detection Motion Ddetection, Mask Alarm, Port Alarm,Network Disable Alarm IP Conflict, MAC Conflict Detection
General	
Language	English,Spanish,Korean,Italian,Turkish,Thai,Russian Polish,French,Traditional Chinese,Simplified Chinese
Operating Conditions	-40°C-70°C, 0 ~ 95% RHG
Power Supply	AC24V 3A
Power Consumption	18.6W(IR OFF)/ 32.36W(IR ON)
Circuit Protection	TVS 6000V, Lightning/ Surge 4000V Protection
Impact Protection	IP67
Wiper	N/A
IR LEDs	10pcs
Dimensions	222mmx222mmx372mm
Weight	5KG (IP PTZ Only), 8.45KG (with Packing Box)