

MCDU1.3AH25-IR6



High resolution AHD, 1.3Mega Pixel, 12VDC



Features:

- 1/3" CMOS sensor AHD 720P.
- Aluminum alloy housing.
- Wide angle lens f2.5mm.
- Cam 1 Built-in 6 IR LED.
- Cam 1 Built-in Audio.

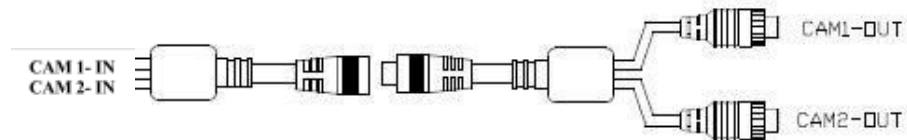
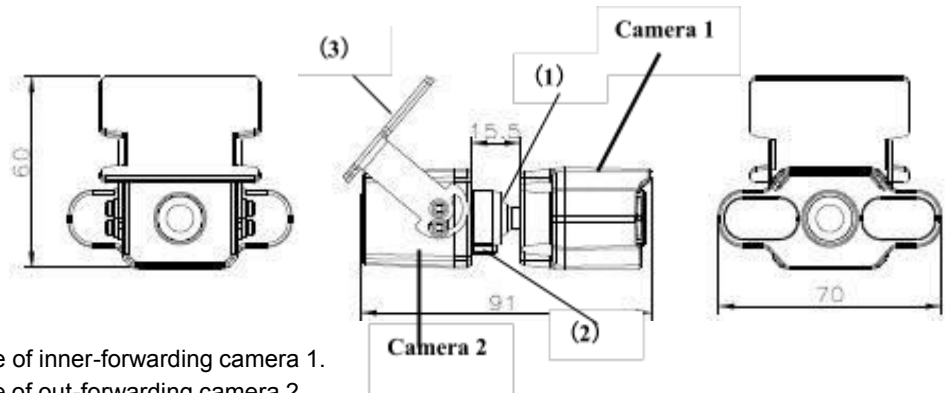


Packing list:

Camera	1
Instruction Manual	1
Hex-key	1

Operation procedures:

1. Adjust the position of (1) to change the angle of inner-forwarding camera 1.
2. Adjust the position of (2) to change the angle of out-forwarding camera 2.
3. Take off the 3M sticker of (3) to fix the whole camera to needed place.
4. Connect the cable as below.



Specifications:

Camera 1 (Rear View)		Camera 2 (Front View)	
Image Sensor	1/3" CMOS AR0130 (Aptina)	Image Sensor	1/3" CMOS AR0130 (Aptina)
TV System	NTSC/PAL (Optional)	TV System	NTSC/PAL (Optional)
Picture Elements	1280 (H) x 960 (V)	Picture Elements	1280 (H) x 960 (V)
Sensitivity	0 Lux (IR LED On)	Sensitivity	0.1 Lux/F1.2
Scanning System	Progressive Scan RGB CMOS	Scanning System	Progressive Scan RGB CMOS
Synchronization	Internal	Synchronization	Internal
S/N Ratio	More than 44dB (AGC Off)	S/N Ratio	More than 44dB (AGC Off)
Auto Gain Control (AGC)	Auto	Auto Gain Control (AGC)	Auto
Electronic Shutter	Auto	Electronic Shutter	Auto
BLC	Auto	BLC	Auto
Infrared Spectrum	940nm	Infrared Spectrum	N/A
Infrared LED	6 LEDs	Infrared LED	N/A
Video Output	1 Vp-p, 75Ω, AHD 720P	Video Output	1 Vp-p, 75Ω, AHD 720P
Audio	Available	Audio	N/A
Mirror	Optional	Mirror	Optional
ICR	N/A	ICR	N/A
Noise Reduction	3D	Noise Reduction	3D
Dynamic Range	83.5 dB	Dynamic Range	83.5 dB
Lens	f2.5mm Megapixel	Lens	f2.5mm Megapixel
Pan Adjusting	0-50°	Pan Adjusting	N/A
Tilt Adjusting	0-50°	Tilt Adjusting	0-80°
Power Supply	12VDC	Power Supply	12VDC
Power Consumption	110mA	Power Consumption	70mA
Weatherproof/Waterproof	N/A	Weatherproof/Waterproof	N/A
Operation Temperature	-30° ~ +70°	Operation Temperature	-30° ~ +70°

