

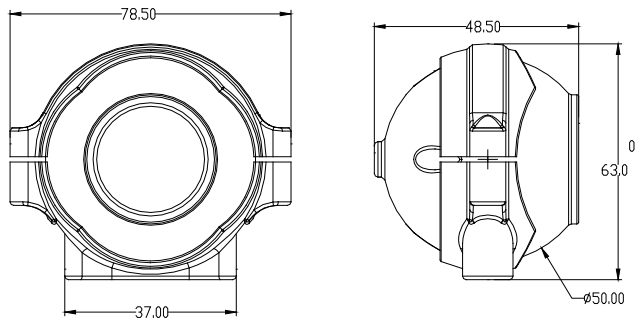
MCBS1.3AHC36-IR12



High resolution AHD, 1.3Mega Pixel, 12VDC



Dimensions:



Specifications:

Model	MCBS1.3AHC36-IR12
Image Sensor	1/3" CMOS AR0130
TV System	PAL/NTSC (optional)
Picture Elements	1280 (H) x 800 (V)
Sensitivity	0 Lux (IR LED On)
Scanning System	Progressive scan RGB CMOS
Synchronization	Internal
S/N Ratio	More than 44dB (AGC Off)
Auto Gain Control (AGC)	Auto
Electronic Shutter	Auto
BLC	Auto
Infrared Spectrum	850nm
Infrared LED	12 LEDs (Ø5.0)
Video Output	1 Vp-p, 75Ω, AHD
Audio	N/A
Mirror	Optional
ICR	Available
Noise Reduction	3D
Dynamic range	83.5 dB
Lens	f3.6mm Megapixel
Power Supply	12VDC
Power Consumption	150mA
Dimensions	78.5 x 63 x 48.5 mm
Net Weight	123 g
Weatherproof/Water Proof	IP67
Operating Temperature	-30° C ~ +70 ° C

Features:

- Mobile rear view camera with 3.6mm fixed lens. (2.8mm Optional)
- Minimum Illumination: Color: 0.1Lux/F1.2, B/W: 0 Lux (IR LED ON)
- Low power consumption.
- Easy installation on ceiling or wall, surface or flush mount.
- 12 LEDs.
- IR Cut Filter Available. (Infrared Spectrum 850nm).
- BNC or 4 Pin Din Connector (Optional)
- IP Rating: IP67.

Packing list:

Camera	1
Instruction Manual	1
Mounting Screw	3

Cable Connection:



- 1---12VDC (+)
- 2---12VDC/GND (-)
- 3---Audio or N/A
- 4---Video

