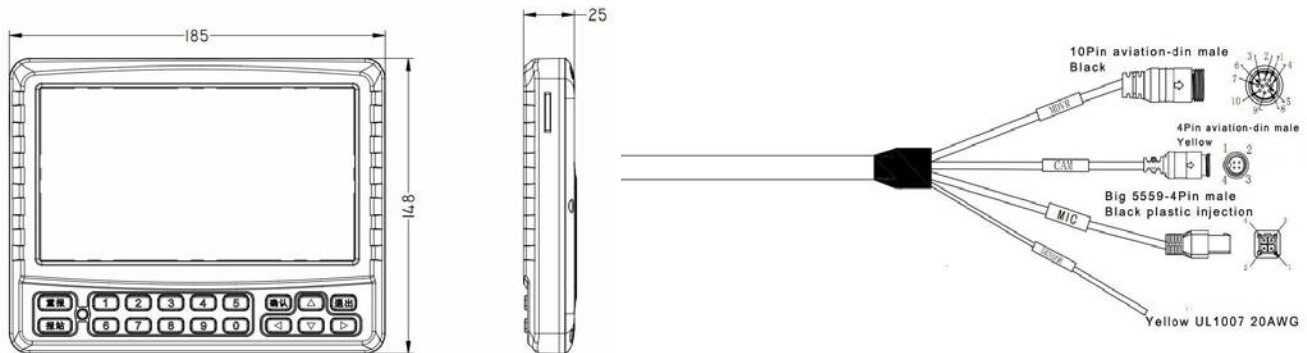




## LCD Specification

LCD Parameter	Performance Index	Description
Screen Type	LCD screen	
Touch Type	4 wire resistor type	
Size	7 inch	
Resolution	800*480	
Luminance	400cd/m2	
Contrast Ratio	20.83402778	Under a suitable brightness condition, the higher contrast, the richer color levels
Response Time	10/15(Tr/Td) ms	The response time of the LCD to the input signal
Visual Angle	70/70/50/70 (Typ.)(CR dot 10)(Left/Right/Up/Down)	
Maximum Number of Display Color	262K/16.7M(6bit/6bit+Dithering)	
Scale	16:9	
Back-light Type	White LED	

## Dimension and Pin Definition (unit: mm)



Connector Name	Function	Definition
MDVR	Black 10PIN aviation-din male connector connects to MDVR.	<ul style="list-style-type: none"> <li>19: VIDEO</li> <li>20: GND</li> <li>1: +12V 24AWG</li> <li>2: GND 24AWG</li> <li>3: TXD</li> <li>4: RXD</li> <li>5: AUD10+</li> <li>6: AUD10-</li> <li>3: MIC+</li> <li>7: MIC+</li> <li>10: MIC-</li> <li>14: MIC-</li> </ul>
CAM	Yellow 4PIN aviation-din connector connects to reversing camera.	<ul style="list-style-type: none"> <li>1: Power+</li> <li>2: GND</li> <li>3: Audio signal</li> <li>4: Video signal</li> </ul>
MIC	Connects to driver microphone.	<ul style="list-style-type: none"> <li>1: GND</li> <li>2: MIC+</li> <li>3: MIC-</li> <li>4: MIC_SW_IN</li> </ul>
SENSOR	Yellow hanging line, reversing signal detection port, high level effective. For reversing control.	<p>Hanging line</p> <p>SENSOR</p>

## Bracket Installation (CPT-7 supports bracket installation, and there are three brackets to be chosen)



Suitable for relatively flat console



Suitable for curved console



Suitable for hanging