

Speed Dome IR IP 1080P with 20x/30x optical zoom and 32x digital zoom

## H719 Series Full HD IP IR High Speed Dome Camera

### Features:

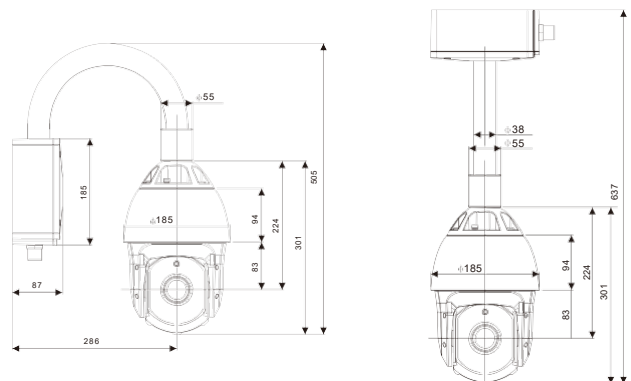
- Full HD 1080P resolution, 2.1MP Sony Starvis image sensor;
- 20x/30x optical zoom and 32x digital zoom;
- **Easy swapping between Coax HD and IP, simply by replacing the inner box with one hand; (See MF Model)**
- Innovative easy installation design to free your hands;
- Micro-Stepping technology makes PT motion smoother, especially at maximum optical zoom ratio;
- Maximum PT manual speed up to 300°/s, accuracy up to +/-0.01°;
- Multi-streaming for high-resolution and high-quality video monitoring and simultaneous recording in real time remotely;
- Open protocol integration via HTTP API/ CGI, SDK, and private protocol;
- Support ONVIF protocol (V2.4.1 and profile S);
- Easy network access via UPnP function and embedded Multi-cast DNS protocol;
- 3D positioning (upon integration with NVR/ VMS);
- Click & go centralizes any area you click on the video;
- Support 255 presets, 8 scans, 8 patterns, 8 groups, 16 schedules, 8 privacy masks;
- Auto focus/Auto flip/Power up;
- HLC/BLC/WDR/DIS/Defog;
- True Day&Night
- IR LED lights enhance sensitivity during night, IR distance up to 150 meters;
- Protection against lightning strikes and power surges;
- Weatherproof for outdoor & indoor installation (IP66 Rated).

### Application Scenes:

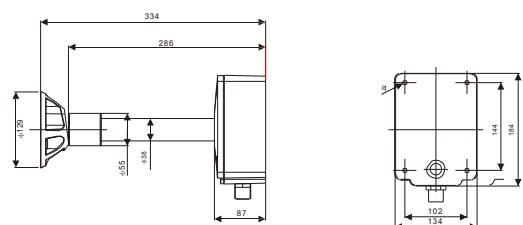
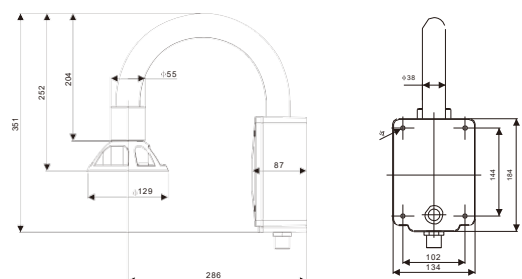
SDH719 Series Full HD IP IR High Speed Dome Camera could be used in any places where surveillance is required, like hotel, commercial building, plaza, parking lot, revenue, bank, big mall, supermarket, hospital, education organization, residential zone and so on.



### Dimension: (unit: mm)



### Optional bracket: (unit: mm)



Technical Parameters:

Model No.		HD-IP	
		SDH719IRIP-20x	SDH719IRIP-30x
Camera	Sensor	1/2.8" Sony Starvis CMOS sensor	
	Resolution	1080P	
	Zoom Ratio	20x Optical zoom, 32x digital zoom	30x Optical zoom, 32x digital zoom
	Focal Length	f=4.9(Wide) – 98(Tele)mm	f=4.3(Wide) – 129(Tele)mm
	Iris	F=1.5(Wide)-3.0(Tele)	F=1.6(Wide)-5.0(Tele)
	Mini Illumination	Color:0.2Lux, BW:0.05Lux; Color DSS:0.002Lux,BW DSS:0.001Lux	
	Day/Night	Auto/Day/Night	
	Focus	Manual/Auto / One Push	
	AGC/Iris	Auto/Manual	
	Shutter Speed	1/30(25) sec ~ 1/300,000 sec	
	DIS	OFF/10%/20%/30%	
	White Balance	Auto/Indoor/Outdoor/Manual	
	Mirror	None/Horizontal/Vertical/Horizontal& Vertical	
	HLC/WDR/BLC/Defog	On/Off	
Privacy Mask	8 privacy masks programmable		
PTZ Function	Pan/Tilt Range	Pan: 360°endless, Tilt: 0~90°	
	Speed	Max.300 °/sec (proportional to zoom ratio)	
	Preset	Up to 255	
	Auto Scan	8	
	Pattern	8	
	Group	8	
	Schedule	16	
	RS 485	Yes	
	Other PTZ Functions	Auto Flip, Parking Action, Auto protocol identification,Power up Action	
	Alarm In/Out	8CH/4CH	
	Alarm Trigger Event	Alarm out, preset, scan, pattern, group	
	Protocol	Pelco D/P	
	Baud rate	2400/4800/9600 bps	
	IR Function	IR radiation distance	Approximately 150m
Infrared mode		Auto/ Manual/ Semi-Auto	
IR LED layout		IR LED for Near:3; Middle:3; Far:3;9 Leds in total.	
IR LED power		Each max. 3W	
IR LED current		1A	
Network	NetworkConnection	RJ-45,10/100 Mbps Ethernet	
	SD Card	Support up to 64G mini SD Card	
	Codec Platform	High-performance Hi3516D	
	Video Compression	H.265,H.264, M-JPEG	
	Video Codec	H.265,H.264 (Baseline, Main profile, High Profile), MJPEG	
	Audio Compression	G.711a/G.711u/RAW_PCM	
	Video Bitrate	CBR(200-12000kbps), VBR	
	Frame Rate	Max.1080p@25/30fps	
	Audio In/Out	1CH(Line in)/1CH	
	Video Stream	Triple stream: 1920x1080; 640x360; 352x288	
	Network Protocol	ONVIF 2.4.1, Profile S, IPv4/IPv6, RTSP/RTP/RTCP, TCP/UDP, HTTP, DHCP, DNS, FTP, DDNS, PPPoE, SMTP, Bonjour	
	Alarm Trigger Event	Alarm in, Schedule	
	General	Dimension	Main unit without mount bracket: Φ185mm*288.5mm
Net Weight		2.9 Kg(Only PTZ dome without mount bracket)	
Gross Weight		5.6Kg (with wall mounting bracket )	
Working Temp.		-30°C ~ +55°C;	
Working Humidity		90% (Non-condensing)	
Fan		Yes	
Power Supply		DC12V /AC 24V; PoE+ +	
Power Consumption		AC24V: 43W Max., DC12V: 38W Max.	
Service Power Supply Output		DC12V/500mA	
IP Rating		IP 66	
Protection Grade		Power 6000V, Video 6000V, RS485 6000V	
Certificate	CE, FCC		